

Product Description

UIC4101 is designed for end user applications. It provides the flexibility of transparently extending USB links up to 30m. The USB extenders consist of two units, the local unit and the remote unit, the pair comes in 3 individual variations of interface that is RJ45 (LAN/CAT5 cable), RJ11 (telephone line cable) and USB Type A/B. Transmits power and data over the same cable and supports any full-speed (12Mbps) or low-speed (1.5Mbps) USB device.

Typical applications for UIC4101 are:-

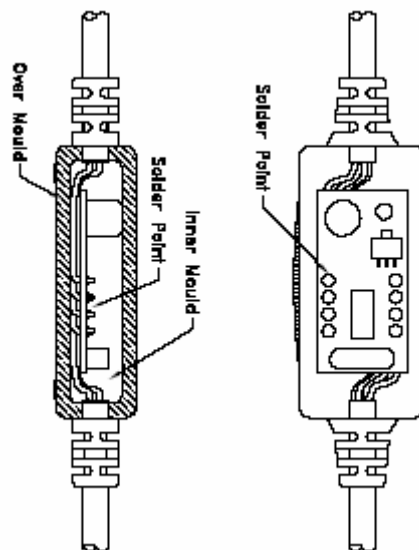
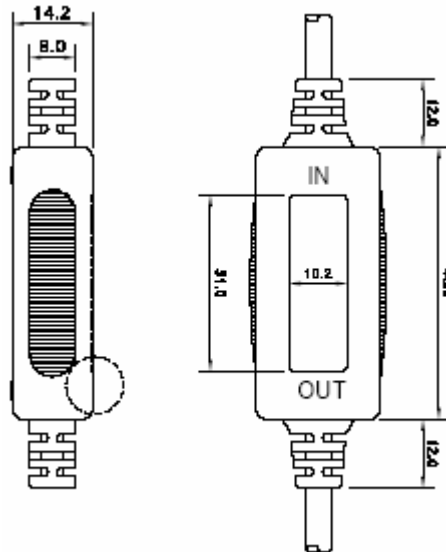
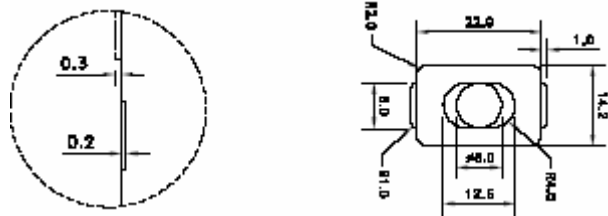
- Web Camera
- Surveillance Camera
- Door and Security Access
- Keyboard and Mouse
- Projectors, Screens and other USB computer peripherals
- Exhibitions and Conference Network connections
- Point-of-Sale solution provision, i.e. barcode readers and scanners

Specifications:-

Item	Description	Specification
1	Distance	98.4 ft (30 m)
2	Data Transfer Rate	Up to 12Mbps/sec
3	USB Standards	USB 1.1
4	Connectors	
	a. Local Unit Connectors:	Upstream: 1 x 4 pin USB (Type A or B) Downstream: 1 x (RJ-45 or RJ-11 or USB)
	b. Remote Unit Connectors:	Upstream: 1 x (RJ-45 or RJ-11 or USB) Downstream: 1 x 4 pin USB (Type A or B)
5	OS platforms	
	a. OS compatibility	98SE/2000/ME & XP
6	Dimensions	
	a. Width:	1.89 Inches (48 mm)
	b. Depth:	0.87 Inches (22 mm)
	c. Height:	0.56 Inches (14.2 mm)
7	Temperature range	-25 to +85°C
8	Cable type	CAT5
9	Package Contents	1 x Local Extender unit 1 x Remote Extender unit 1 x User's Guide

For pricing and enquiry, kindly contact:
enquiry@kwe.com.my

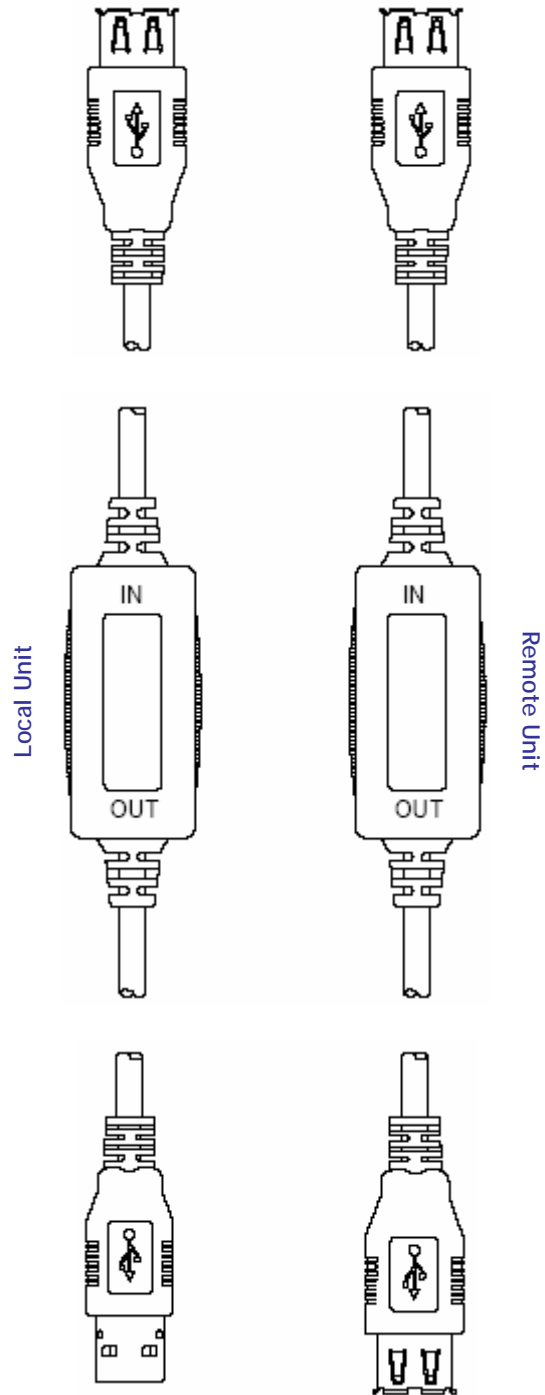
Product Outlook



For pricing and enquiry, kindly contact:
enquiry@kwe.com.my

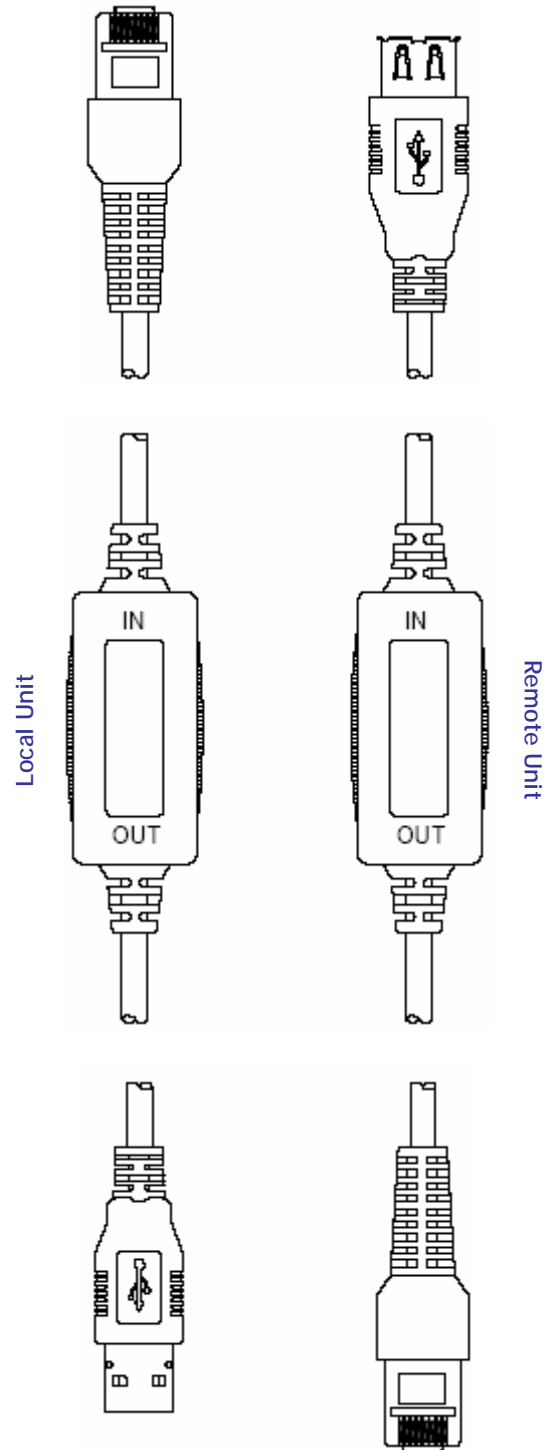
Product Interface(s)

USB -to- USB connectors



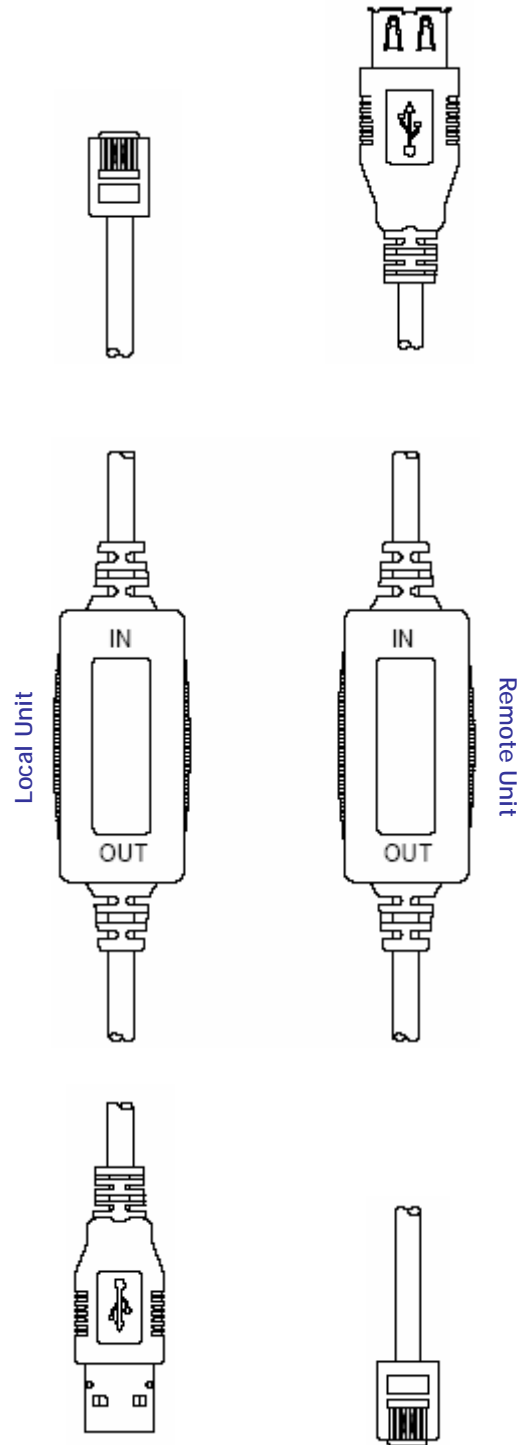
For pricing and enquiry, kindly contact:
enquiry@kwe.com.my

USB -to- RJ45 connectors (using LAN/CAT5 cable)



For pricing and enquiry, kindly contact:
enquiry@kwe.com.my

USB -to- RJ11 (using telephone line cable)



For pricing and enquiry, kindly contact:
enquiry@kwe.com.my